



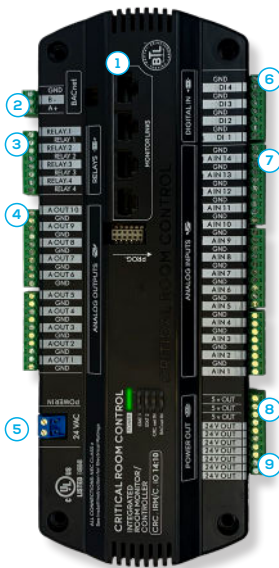
## IRM-MV5

The IRM-MV5 environmental monitor displays temperature, humidity, air quality, and other key room parameters to ensure safe and optimal conditions. It offers real-time monitoring, configurable alarms, and a user-friendly interface to help maintain a healthy environment.

The Integrated Room Environmental Monitor solution consists of the following components:

- 5" Environmental Monitor
- Enclosure with I/O Board
- Optional Accessories: Displays (up to 3 additional) and Room Pressure (up to 3 additional)

# IRM-MV5



## DIS-MV05 SPECIFICATIONS

<b>Dimensions</b>	6.89 x 4.25 x 1.15 in
<b>Input Power</b>	Supplied by I/O board via Cat6 cable
<b>Cable Length</b>	Up to 200 ft shielded Cat6 cable per display Up to 500 ft shielded Cat6 total for all connected displays
<b>Operating Temperature</b>	50 to 95 °F (10 to 35 °C)
<b>Operating Humidity</b>	0 to 95 % RH, non-condensing
<b>Resolution</b>	WVGA RGB 480 x 800 px
<b>Display Type</b>	Resistive touch

## ENC-WBA SPECIFICATIONS

<b>Material of Construction</b>	ABS Plastic
<b>Flame Rating</b>	UL94 HB
<b>NEMA Rating</b>	1

## I/O BOARD SPECIFICATIONS

<b>Dimensions</b>	10.25 x 4 x 1.25 in
<b>Input Power</b>	24 VAC $\pm$ 10 %, 50/60 Hz, maximum 30 VA, Class 2
<b>Onboard Power</b>	5 @ 24 VDC (200 mA total max.) 3 @ 5 VDC (100 mA total max.)
<b>Operating Temperature</b>	32 to 158 °F (0 to 70 °C)
<b>Storage Temperature</b>	-40 to 158 °F (-40 to 70 °C)
<b>Operating Humidity</b>	10 to 70 % RH, non-condensing
<b>Storage Humidity</b>	10 to 70 % RH, non-condensing
<b>Communication Protocol</b>	BACnet® MS/TP (BTL - listed/tested)
<b>Connectors</b>	14 – 26 AWG wire
<b>Listing</b>	UL 916, C-UL, BTL
<b>Manufactured Under</b>	ISO 13485-2003

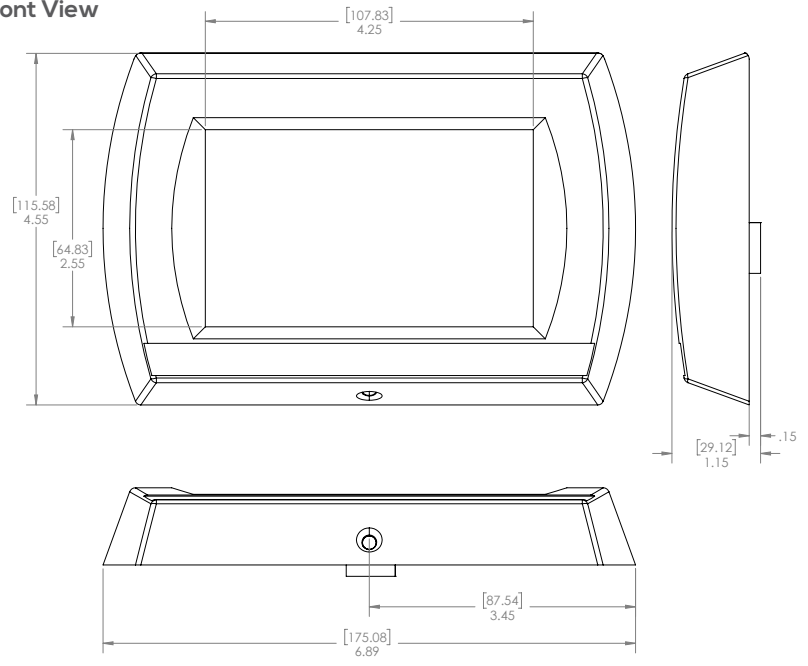
## COMPONENTS

1 4 Display ports	6 4 Digital inputs (normally closed)
2 BACnet® MS/TP	7 14 Analog inputs (configurable 0 to 10 VDC)
3 4 Relays (normally closed, 2 A @ 30 VDC)	8 5 VDC power to sensors
4 10 Analog outputs (configurable 0 to 10 VDC)	9 24 VDC power to sensors
5 24 VAC power in	

# IRM-MV5

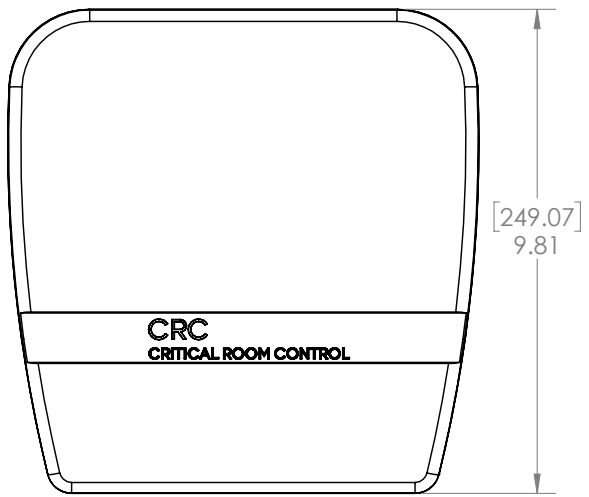
## DIS-MV05 Dimensions

Front View

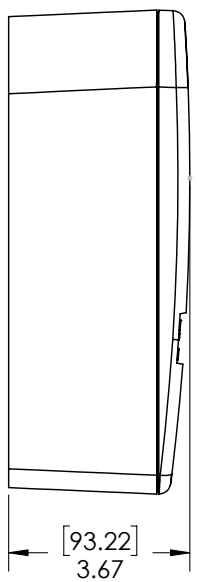


## ENC-WBA Dimensions

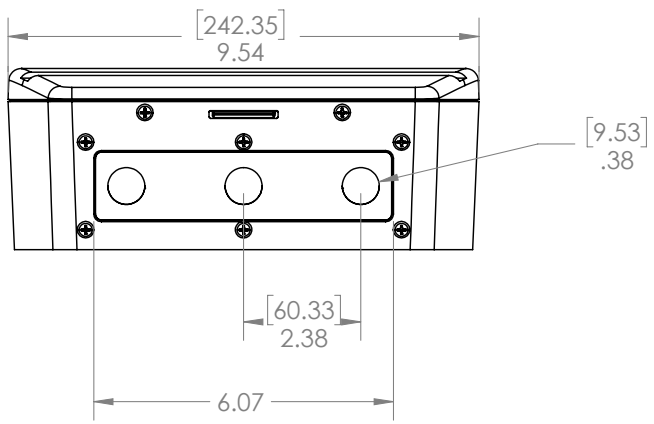
Front View



Side View



Bottom



Key
[BRACKETS] = MILLIMETERS (mm)
NO BRACKETS = INCHES (in)