

# ROOM PRESSURE KIT

- RPKP1S
- RPKP2S
- RPKP1W
- RPKP2W



## CHARACTERISTICS

<b>Material of Construction</b>	Pickup Plates	Stainless steel or white plastic with 60 micron brass mesh filter
	Enclosure	ABS Plastic
<b>Pressure Connection</b>	¼" brass barbed fitting	
<b>Mounting</b>	Single gang electrical box	
<b>Pneumatic Tubing</b>	¼" O.D.	

## ENVIRONMENTAL LIMITATIONS

<b>Operating Temperature</b>	-4 to 140°F (-20 to 60°C)
<b>Storage Temperature</b>	-40 to 158°F (-40 to 70°C)
<b>Humidity Effects</b>	No performance effect at 10-95% R.H, non-condensing
<b>Flame Rating</b>	UL94 HB
<b>NEMA Rating</b>	1
<b>Relative Temperature Index</b>	248°F (120°C)
<b>Heat Deflection Temperature</b>	66 psi - 194°F (90°C)

## ELECTRICAL

<b>Input Voltage</b>	5 VDC
<b>Output Voltage</b>	0.5 to 4.5 VDC

## PERFORMANCE

<b>Accuracy</b>	< ±1.0% of span	
<b>Stability</b>	< ±0.25% span/year	
<b>Range</b>	RPKP1S/W	-0.1 to +0.1 "WC
	RPKP2S/W	-0.25 to +0.25 "WC

## WIRING GUIDELINES

PRESSURE	WHITE	0.5-4.5 VDC REFER TO SENSOR	<b>Wire Connection</b>	3 Conductor Stranded	
	BLACK	GND		<b>Min Wire Gauge</b>	22 AWG (0.6 mm)
	RED	5 VDC			<b>Max Length</b>
GROUND	BLACK	GND	<b>Preferred Color</b>	Red/Black/White	
POWER	RED	5 VDC			

## NOMENCLATURE

### RPKP

**Room Pressure Kit**  
includes:  
Pickup Plates (Qty 2)  
ENC-RMT (Qty 1)

**Material Pickup Plates**  
S = Stainless Steel  
W = White

**Range**  
1 = ± 0.10 "WC  
2 = ± 0.25 "WC

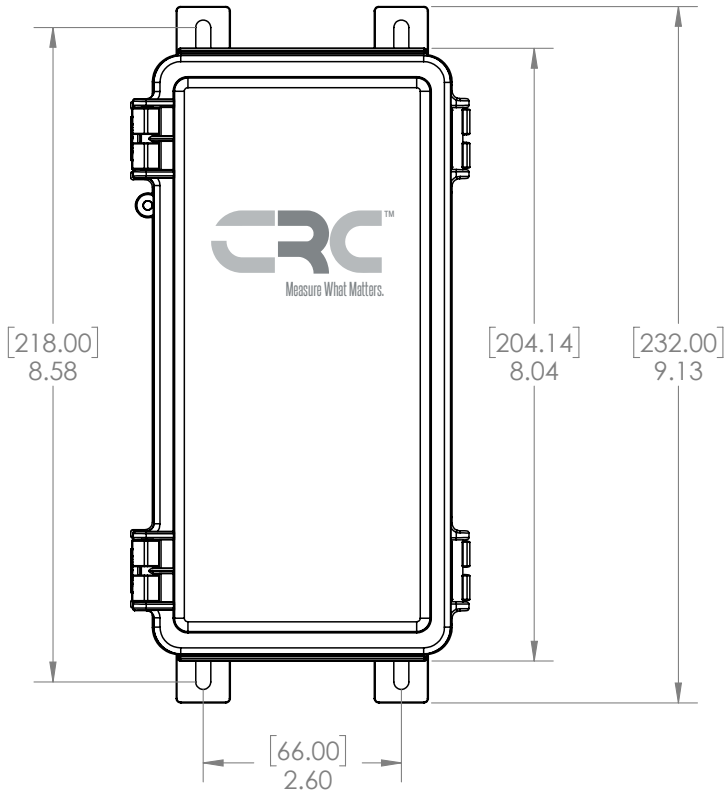
**!** The tubing for the HI port and LO port connections should be as short as possible, equal length and diameter, equal temperature and path.

Additional information: Refer to installation guide for more installation details.

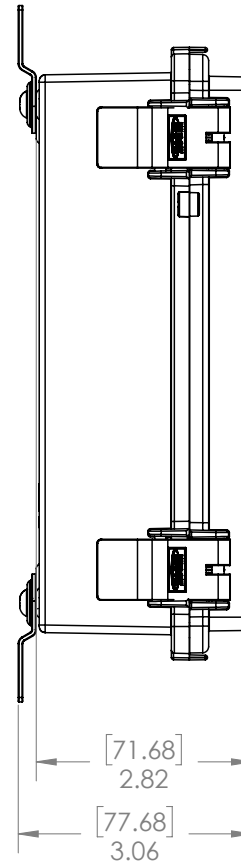
# ROOM PRESSURE KIT

## Dimensions

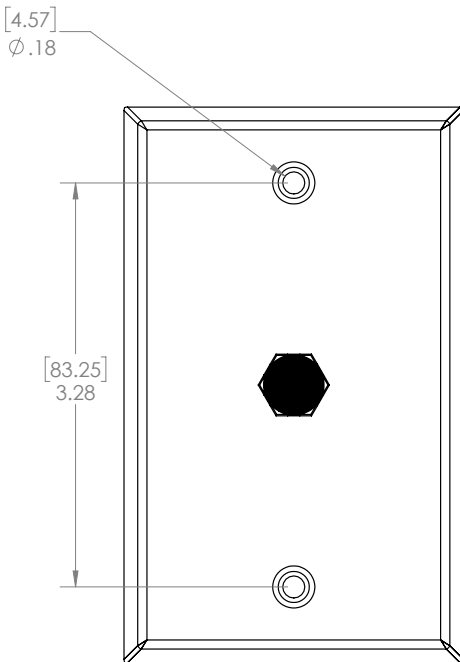
Front View



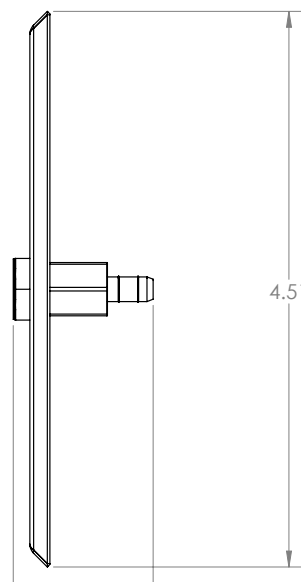
Side View



Front View



Side View



Additional information: Refer to installation guide for more installation details.

**Key**

[BRACKETS] = MILLIMETERS (mm)

NO BRACKETS = INCHES (in)