

DUCT SENSOR (TEMPERATURE/HUMIDITY)

□ DTH-00-20-0B1



CHARACTERISTICS

Material of Construction	Polystyrene Plastic
UL Flammability Rating	UL94-V2
Foam Pad Material	Neoprene/EPDM/SBR Polymer

ENVIRONMENTAL LIMITATIONS

Ambient Temperature	-30 to 122 °F (-35 to 50 °C)
Ambient Humidity	0 to 95% RH, non-condensing

ELECTRICAL

Input Voltage	24 VDC
Temperature - Output Voltage	0 to 10 VDC
Humidity - Output Voltage	0 to 10 VDC

PERFORMANCE

Temperature Range	40 to 140 °F (4 to 60 °C)
Temperature Accuracy	±0.5 °F @ 77 °F (±0.3 °C @ 25 °C)
Humidity Range	0 to 100%
Humidity Accuracy	±2 % between 0 to 80% RH @ 77 °F (25 °C)

WIRING GUIDELINES

TEMPERATURE	AOU2 (T)	0-10 VDC 40-140 °F
HUMIDITY	AOU1 (RH)	0-10 VDC 0-100%
GROUND	GND	GND
POWER	UB+	24 VDC

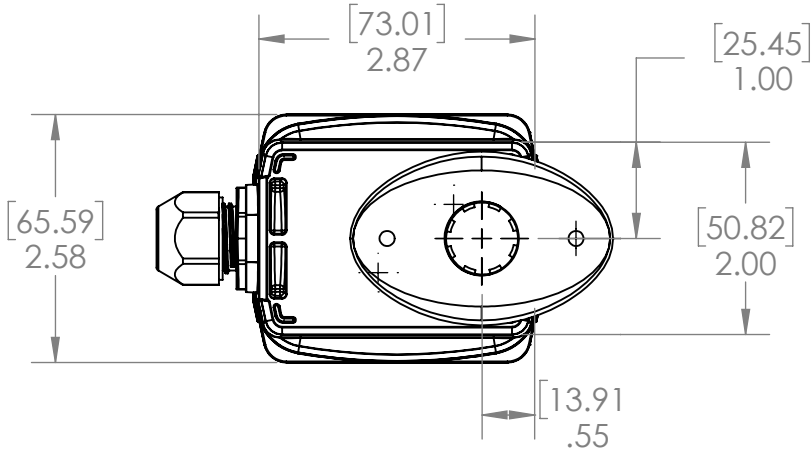
Wire Connection	4 Conductor Stranded
Min Wire Gauge	22 AWG (0.6 mm)
Max Length	200 ft (61 m)
Preferred Color	Red/Black/White/Green

Additional information: Refer to installation guide for more installation details.

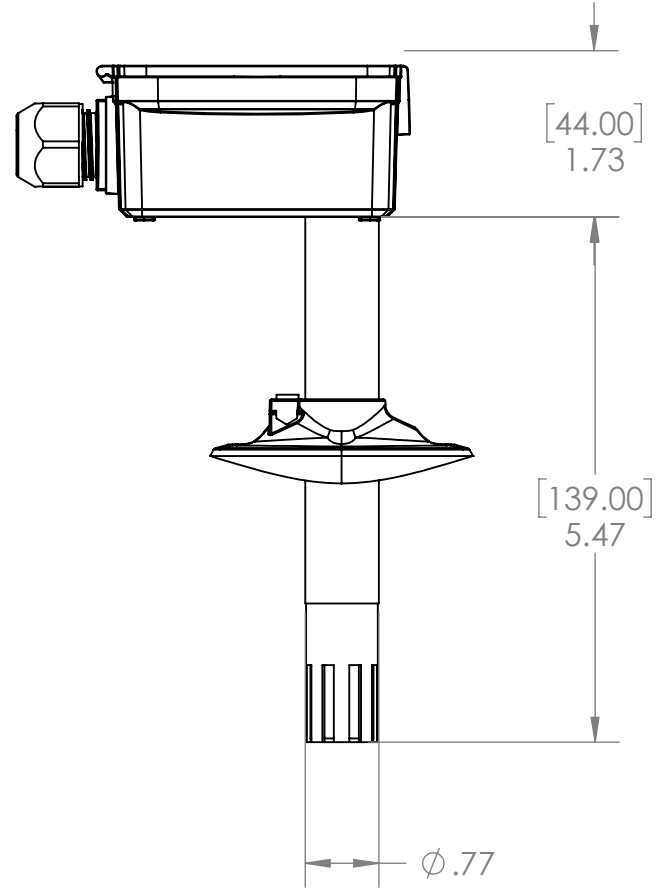
DUCT SENSOR (TEMPERATURE/HUMIDITY)

Dimensions

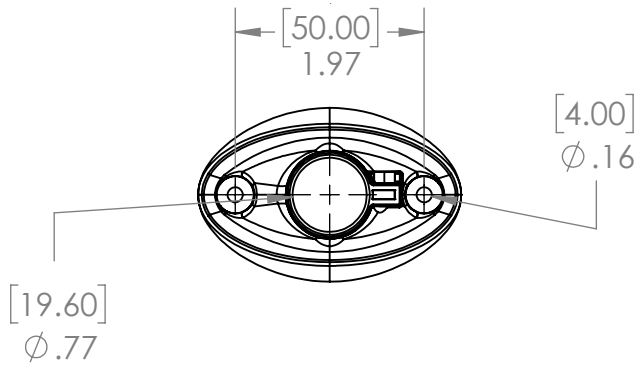
Top View



Side View



Top View (Duct Mount)



Additional information: Refer to installation guide for more installation details.

Key

[BRACKETS] = MILLIMETERS (mm)

NO BRACKETS = INCHES (in)