


# ALPHA



## TABLE OF CONTENTS

	PAGE
HOME SCREEN .....	3
SETUP MENU .....	3
SYSTEM MENU .....	3
DISPLAY SUBMENU .....	4
ISO TEXT AND PRESSURE .....	4
ALARM SUBMENU .....	5
I/O SUBMENU .....	5
APPENDIX A .....	6
TROUBLESHOOTING .....	7

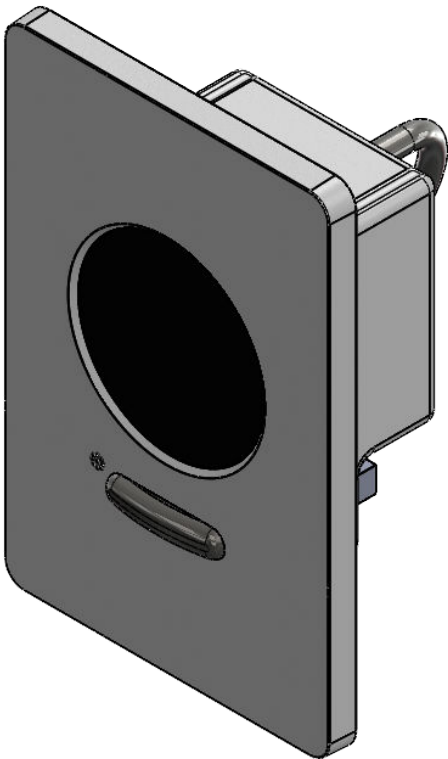
## IMPORTANT NOTES

 Pressing red (X) does not save a parameter, and will automatically exit you from the individual setup screens. After setting a parameter always hit the green check mark (✓) to save the parameter. Once saved, if no more parameters need adjustment, the red (X) can be pressed to go directly back to main setup screen without having to cycle through all parameters.

## LOCAL SUPPORT

Contact your local area CRC channel partner for product support.

Additional information can be found at [criticalroom.com](http://criticalroom.com).



## QUICKSTART GUIDE

### HOME SCREEN



The home screen displays pressure, indicates room status, and provides visual and audible feedback.

Press and hold anywhere on the screen for 5 seconds to access the setup menu.



STANDBY mode temporarily disables alarm parameters and LEDs. It can be used when the room does not have to be pressurized.

STANDBY mode can be accessed from the home screen by swiping left.

### SETUP MENU



The SETUP menu is the central location for accessing feature configurations. Submenus include:

- DISPLAY
- ALARM
- I/O
- SYSTEM

Press any button to access submenu and customize settings.

### SYSTEM MENU



The SYSTEM menu contains a product description, version information, and options to RESTART or RESET the Alpha.

- **Restart:** The Alpha will reboot with the same saved settings and configurations.
- **Reset:** The Alpha will return to factory default settings. To see a list of all default settings, refer to Appendix on page 6.

## QUICKSTART GUIDE

### DISPLAY SUBMENU



Within the DISPLAY submenu, you can adjust the following parameters:

- **Engineering Units:** Select preferred pressure reading units.  
**Recommended:** "WC (inches of water column)
- **ISO Text:** Displays the intended pressure state of the room.  
**Recommended:** Desired pressure state of room
- **Pressure:** Show or do not show pressure on main screen.  
**Recommended:** Show
- **Resolution:** Select preferred number of decimal places.  
**Recommended:** 0.000 (3 decimal places)
- **Average Rate:** Sets the sample time and adjusts the responsiveness of the pressure readout.
- **LED Status:** Toggle status indicator LED on or off.  
**Recommended:** On

### ISO TEXT AND PRESSURE



- A** ISO Text options have the following effect on the home screen:
  - **Negative:** Default setting NEGATIVE.
  - **None:** Removes default NEGATIVE wording.
  - **Positive:** Replaces default NEGATIVE with POSITIVE.
- B** Show/Hide Pressure options have the following effect on the home screen:
  - **Show:** Pressure reading is displayed.
  - **Hide:** Removes pressure reading from main screen.

## QUICKSTART GUIDE

### ALARM SUBMENU



Within the ALARM submenu, you can adjust the following parameters:

- **Alarm High & Low:** The Alpha will enter alarm state if room pressure is greater than Alarm High or less than Alarm Low. Use left and right arrows to select which digit to adjust. Use up and down arrows to adjust the digit's value.
- **Alarm Delay:** Select time before Alpha enters alarm state when alarm conditions are met.
- **Audible On/Off:** Toggle an audible alarm on or off when alarm conditions are met. The alarm can be silenced from the home screen by pressing MUTE if audible alarm is on.
- **Timeout On/Off:** Toggle on enables a 5 minute silence of the alarm after pressing the mute button. If alarm conditions remain for 5 continuous minutes, the audible alarm will resume. Toggle off allows indefinite muting of the alarm until pressure returns to an acceptable range.

### I/O SUBMENU



Within the I/O submenu, you can adjust the following parameters:

- **AI Zero:** To zero room pressure, open the door(s) between the primary space and reference to establish a neutral room pressure. Press the ZERO button while the door is open. The current value for room pressure should now read 0.00 "WC or Pa. Ensure the Alpha is zeroed correctly during commissioning activities.
- **AO Type:** Choose 0-5 V or 0-10 V pressure output signal.

## APPENDIX A

### DEFAULT VALUES

Menu	Setting	Default Value
Display	Engineering Units	"WC
Display	ISO Text	NEG.
Display	Pressure	SHOW
Display	Resolution	0.0001
Display	Average Rate	0s
Display	LED Status	ON
Alarm	Alarm High	0.0000
Alarm	Alarm Low	0.0000
Alarm	Alarm Delay	5s
Alarm	Audible On/Off	OFF
Alarm	Timeout On/Off	OFF
I/O	AI Zero	.0000"
I/O	AO Type	0-10V

## TROUBLESHOOTING

If Alpha does not turn on:

- Must be 24 VAC or 24 VDC to power up.
- Ensure the Alpha is wired properly.
- Refer to wiring guidelines.

Faulty wiring, loose connections, or damaged cables between the 3rd party device and the Alpha can disrupt the signal. Inspect and repair the wiring and connections as needed.

- Refer to wiring guidelines.

If the Alpha is displaying the expected value with the opposite sign, ensure the wall plate and Alpha are mounted in the correct location.

- Wall plate mounted inside of monitored room.
- Alpha mounted in reference area outside of the monitored room.

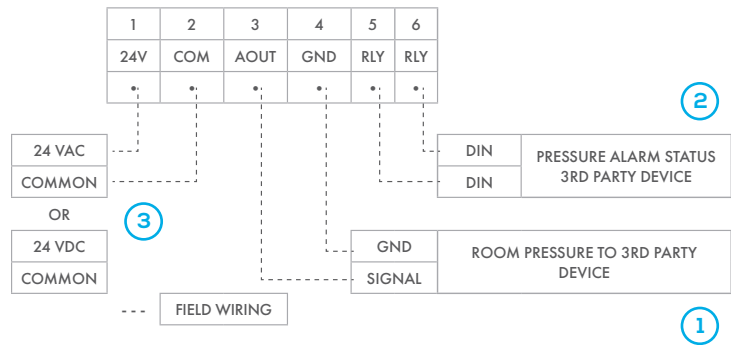
Ensure pneumatic tubing is connected properly from the back of Alpha to the back of wall plate pressure pickup.

Environmental Limitations:

- Extreme environments can affect the accuracy of the Alpha. Ensure that the Alpha operates within its specified environmental ranges.

Local Support:

- Contact your local area CRC channel partner for product support.
- Additional information can be found at [criticalroom.com](http://criticalroom.com).



- 1 Room pressure signal (AOUT) → Voltage: 0-5 VDC or 0-10 VDC
- 2 Pressure alarm status (RELAY) → Closed: In alarm / Open: Not in alarm
- 3 24 VAC or 24 VDC power input



criticalroom.com



**Measure What Matters.**

Critical Room Control  
8601 North 43rd Street  
Brown Deer, WI 53209

414.324.8978  
Sales@criticalroom.com